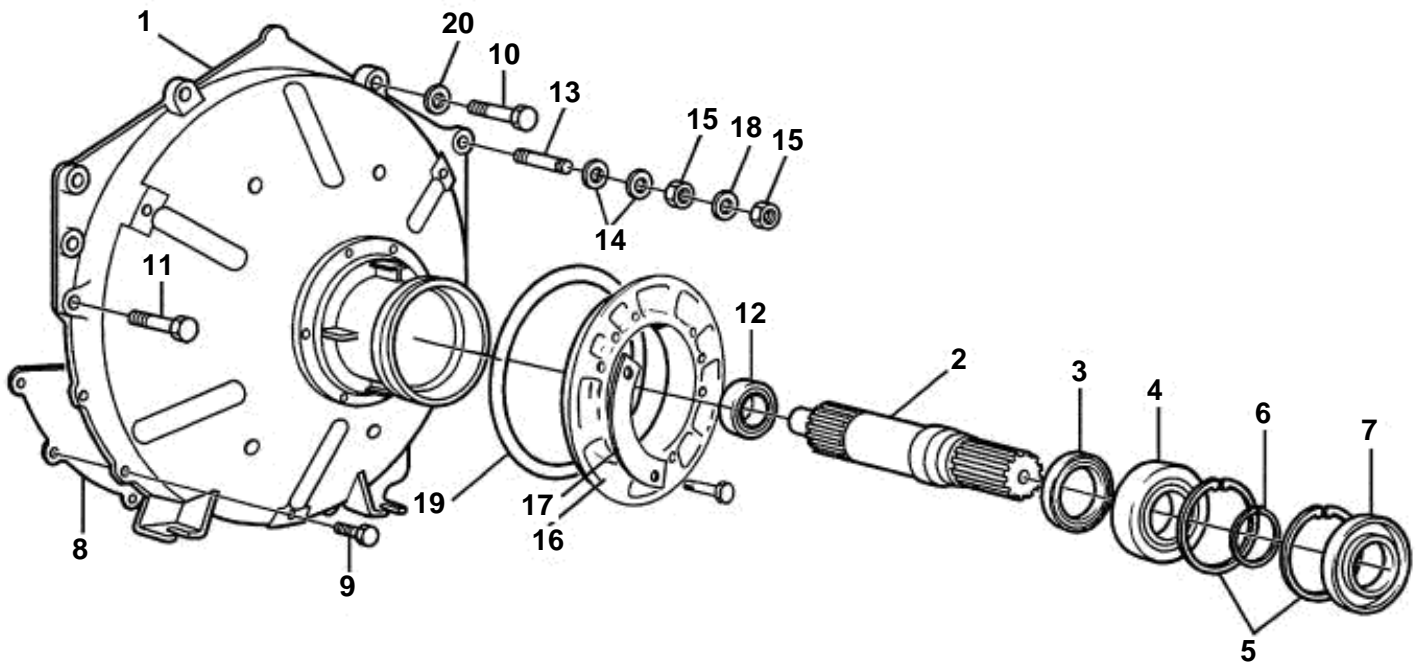


FLYWHEEL CASING & PRIMARY SHAFT, DPX



FLYWHEEL CASING & PRIMARY SHAFT, DPX

| REF | PART NO. | QTY | DESCRIPTION | NOTES |
|-----|----------|-----|--------------------------------------|--------|
| 1 | 3856699 | 1 | Flywheel housing | |
| 2 | 873013 | 1 | Primary shaft | |
| 3 | 958859 | 1 | Sealing ring, Primary shaft | |
| 4 | 11013 | 1 | Ball bearing, Primary shaft | |
| 5 | 914533 | 2 | Snap ring, Primary shaft | |
| 6 | 914462 | 1 | Lock ring, Primary shaft | |
| 7 | 958860 | 1 | Sealing ring, Primary shaft | |
| 8 | 854939 | 1 | Cover plate, Flywheel housing | |
| 9 | 947224 | 5 | Screw, Flywheel cover to housing | |
| 10 | 3853547 | 1 | Screw | |
| 11 | 3850753 | 3 | Screw, Flywheel housing to engine | |
| 12 | 856917 | 1 | Bearing, Primary shaft to crankshaft | |
| 13 | 3850571 | 2 | Stud, Flywheel housing to engine | Ground |
| 14 | 3852058 | 2 | Washer | |
| | 3852002 | 2 | Lock washer | |
| 15 | 3852065 | 4 | Nut | |
| 16 | 854315 | 1 | Clamping ring kit, Flywheel housing | |
| 17 | 806624 | 3 | · Striker plate, Clamp ring | |
| 18 | 3852070 | 2 | · Washer, Ground stud | |
| 19 | 804190 | 2 | · Rubber ring, Clamp ring | |
| 20 | 3852058 | 2 | Washer, Spacer, reservoir bracket | |